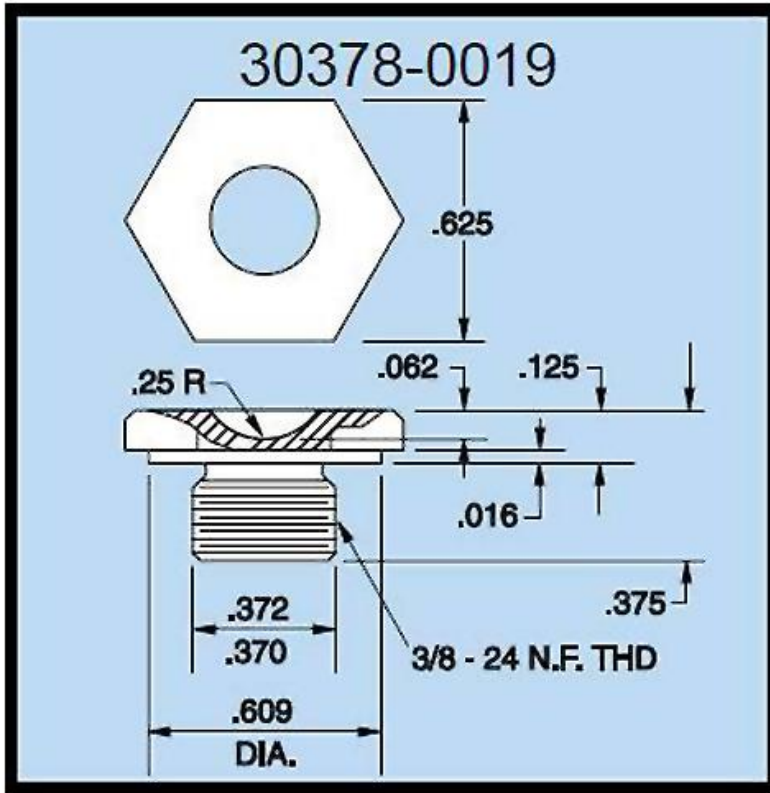




## Dillon 30378-0019 Cup Compression Load Fitting for 500 - 1000 lb (500 kg) Capacity Force Gauges

Load is applied to the Dillon Model U Force Gauge through hardened pressure fittings. Each flat-bottom gauge includes one fitting which you may choose from the following list.



# DILLON

Manufacture: Dillon  
SKU: 30378-0019  
Weight: 0.50 lb

Free Ground Shipping within the 48  
continental US States

Please Call (800)832-0055

### Features

Load is applied to the Dillon Model U Force Gauge through hardened pressure fittings. Each flat-bottom gauge includes one fitting which you may choose from the following list.

i81u812

Contact US

718-336-5900

Returns

Store Policies

About Us

• Phone: (800)832-0055 or (718)336-5900

• Address: 4802 Glenwood Rd. Brooklyn, NY 11234

• © 2000 - 2019 scalesgalore.com (a division of Itin Scale Co., Inc.) All rights reserved.