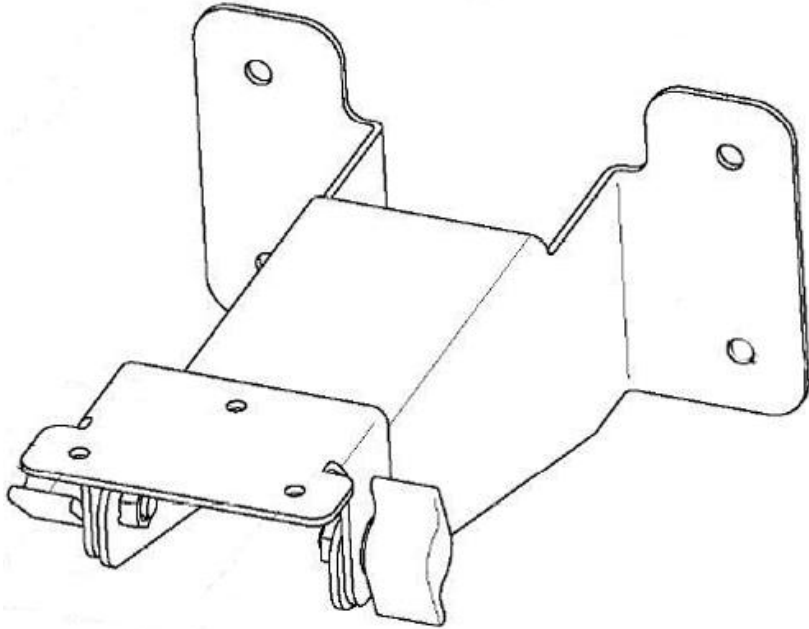


Brackets for wall mounting, stainless steel, tiltable indicator.



Minebea
intec
The true measure

Manufacture: Minebea Intec
SKU: **YDH02CISUS**
Weight: 2.00 lb

Please Call
(800)832-0055

Features

Brackets for wall mounting, stainless steel, tiltable indicator.

i81u812

[Contact US](#)

[718-336-5900](tel:718-336-5900)

[Returns](#)

[Store Policies](#)

[About Us](#)

- Phone: [\(800\)832-0055](tel:(800)832-0055) or [\(718\)336-5900](tel:(718)336-5900)
- Chat with us via [WhatsApp Chat](#)
- Address: 4802 Glenwood Rd. Brooklyn, NY 11234
- © 2000 - 2020 scalesgalore.com (a division of Itin Scale Co., Inc.) All rights reserved.